

SPECIFICATION FOR APPROVAL

Switching Power Supply

CUSTOMER: _____

DESCRIPTION: Input:100-240V AC 50/60Hz
Output:3.0-12.0VDC 2.25A

OUR MODEL NO: YS1500-2250

SAMPLE COLOR: Black () White ()

SAMPLE DATE: 2024-10-13

Rev:A0	Date:2024-10-13	Description: NewRev	Design: Kang
Rev:	Date:	Description:	Design:
Rev:	Date:	Description:	Design:
Rev:	Date:	Description:	Design:

TABLE OF CONTENTS

1、 DESCRIPTION

2、 INPUT CHARACTERISTICS

3、 OUTPUT CHARACTERISTICS

4、 PROTECTION FUNCTION

5、 ENVIRONMENTAL REQUIREMET

6、 SAFETY AND EMC REQUIREMENT

7、 OUTLINE DIMENSION

8、 LABEL

9、 PACKING

1、 SCOPE:

13/00259-00

The purpose of the document is to specify the functional requirements of a 27.0 W switching power supply.

2、 INPUT CHARACTERISTICS:

2.1 Input Voltage:

Rated Voltage:100-240Vac

Variation Range:90-264Vac

2.2 Input Frequency:

Rated Frequency: 50/60Hz.

Variation Frequency:47-63Hz

2.3 Input Current:

0.7 Amps max At any input voltage and rated, DC output rated load.

2.4 Ac Leakage Current:

0.5mA .At264Vac input

2.5 Inrush Current:

100Amps Max. Cold start at 240Vac input, with rated load and 25°C ambient.

3、 OUTPUT CHARACTERISTICS:

3.1 Power output

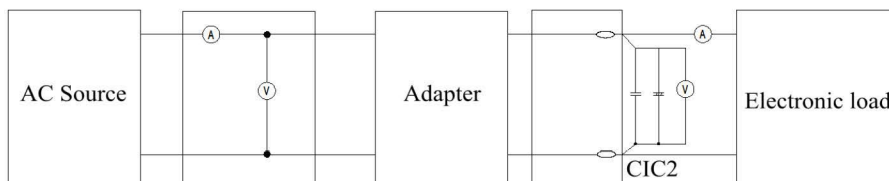
Voltage	Min. Load	Rated. Load	Peak Current	Output power
3.0-12.0Vdc	0.00A	2.25A	2.35-4.5A	27.0W

3.2 Combined Load/Line Regulation

Voltage	Min. Load	Rated. Load	Line Regulation	Load Regulation
3.0-6.0Vdc	0.00A	2.25A	±3% (2.91-6.18V)	±10% (2.7-6.6V)
7.5-12.0Vdc	0.00A	2.25A	±3% (7.275-12.36V)	±5% (7.12-12.6V)

3.3 Ripple and Noise:

Output Ripple voltage is 200mV peak to peak or less.(100Vac 60Hz / 240Vac 50Hz)



Measured methods:

*The ripple is measured from peak to peak with band width limit of 20MHz C1:0.1uF Ceramics capacitor C2:47uF/50V aluminum capacitor under DC output full load, AC nominal input 25°C ambient temperature).

3.4 Turn on delay time:

3Second Max.at 100Vac input and output Max.load.

3.5 Rise time:

40 mS Max.at 100Vac input and output Max load.

3.6 Hold up time:

5 mS Min.at 100Vac input and output Max.Load.

3.7 Efficiency:

3V: 75.88% / 4.5V: 78.79% / 5V: 79.51% / 6V: 83.59% / 7.5V: 84.7% / 9V: 85.52%

12V: 86.62% at 115Vac input and output Max.Load

3V: 75.88% / 4.5V: 78.79% / 5V: 79.51% / 6V: 83.59% / 7.5V: 84.7% / 9V: 85.52%

12V: 86.62% at 230Vac input and output Max.Load

3.8 Standby Power:

Rated Voltage:100-240Vac 0.1W max

4. PROTECTION FUNCTION:

4.1 Short circuit protection:

The power supply will be auto recovered when short circuit faults remove.

4.2 Over current Protection:

The power supply will be auto recovered when over current faults remove.

4.3 Output voltage achieve over voltage protection point.will auto protection without output.be capable of auto-recovery function

5. ENVIRONMENTAL REQUIREMET:

5.1 Operating Temperature:

-20°C to 50°C,Full load, Normal operation.

5.2 Storage Temperature:-40°C to 80°C

With package

5.3 Relative Humidity:

25%(0°C)~75%(40°C)RH,72Hrs,Full load, Normal operating.

6. SAFETY AND EMI REQUIREMENT:

6.1 Regulatory Standards.

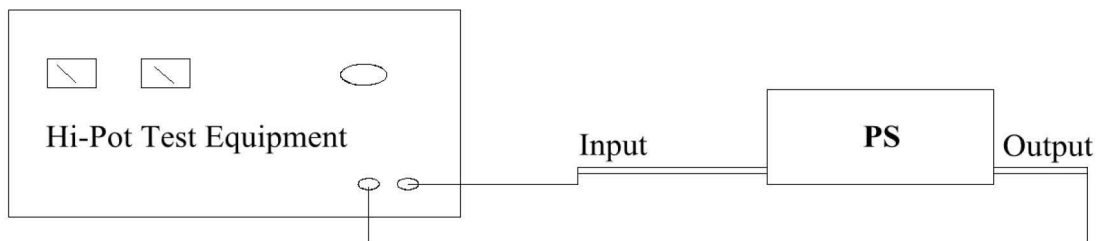
Type	Country	Standard	Type	Country	Standard
UL/FCC	USA	UL62368-1	PSB/CB	SINGAPORE	IEC62368-1
TUV	EUROPE	EN62368-1	PSE	JAPAN	J62368-1
CCC	CHINA	GB4943	KC	KORE	K62368-1
✓ CE	EUROPE	EN62368-1	CSA	CANADIAN	CAS C22.2
RCM	AUSTRALIA	AS/NZ62368-1			

6.2 500VDC 100MΩ

Insulation Resistance: 500VDC primary to the secondary input impedance of 100MΩ(Min)

6.3 DIELECTRIC WITHSTAND Hi-Pot:

HI-POT-- primary to secondary 3000Vac 5mA 1min



6.4 EMI STANDARD

Meets the Limits of

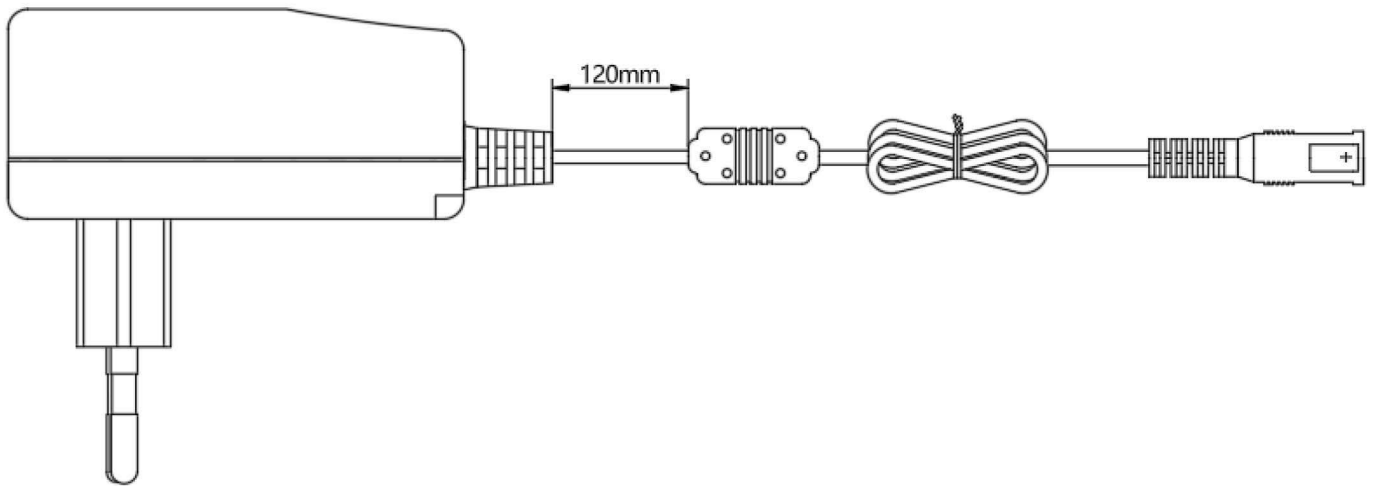
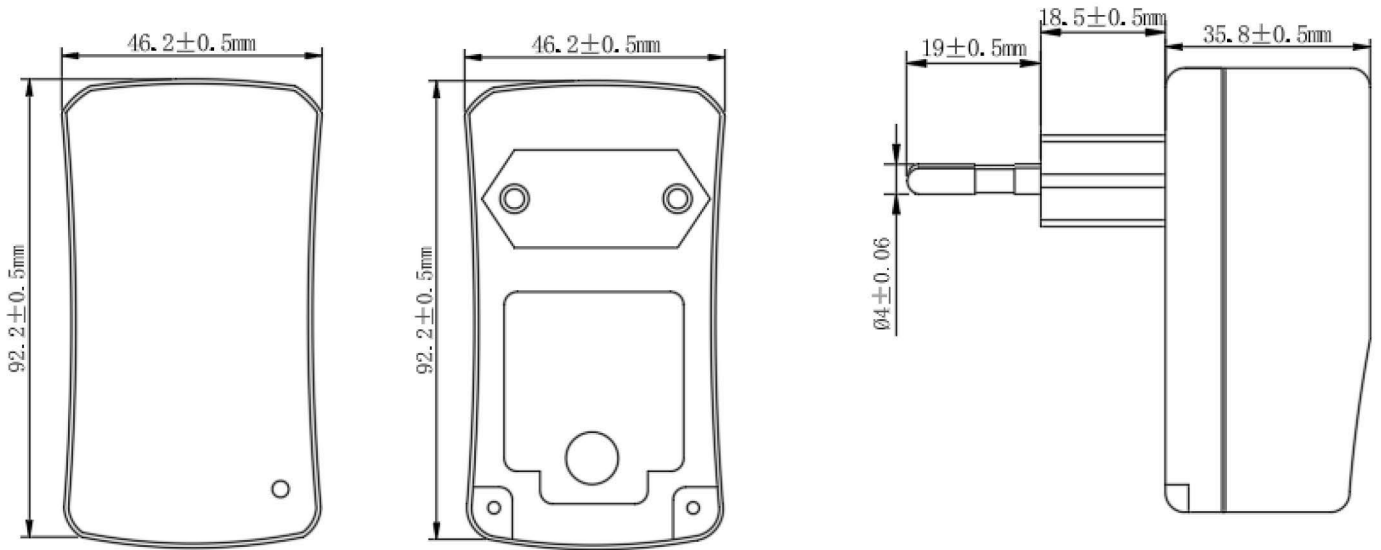
EN 55032:2015+A11:2020

EN 55035:2017+A11:2020

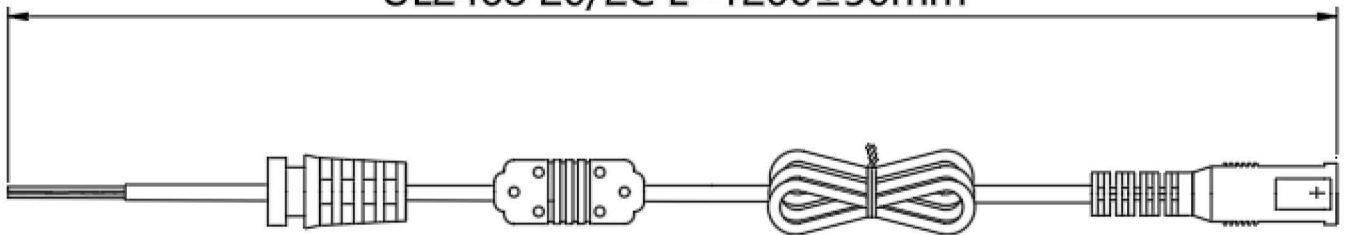
EN IEC 61000-3-2:2019

EN 61000-3-3:2013+A1:2019

7. OUTLINE DIMENSION:



UL2468 20/2C L=1200±50mm

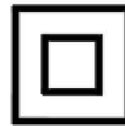
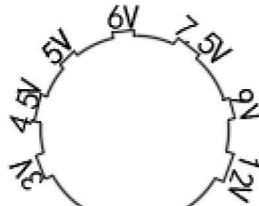


8

LABEL:

Laser printing .

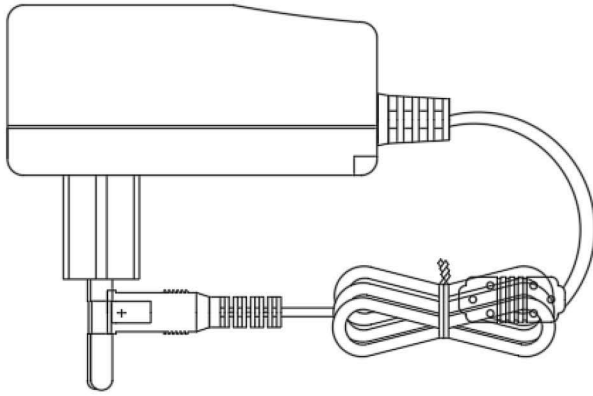
MODEL: YSV1500-2250
INPUT: 100-240V ~50/60Hz 0.7A Max
OUTPUT: 3.0V \Rightarrow 2.25A 6.75W
4.5V \Rightarrow 2.25A 10.13W
5.0V \Rightarrow 2.25A 11.25W
6.0V \Rightarrow 2.25A 13.5W
7.5V \Rightarrow 2.25A 16.88W
9.0V \Rightarrow 2.25A 20.25W
12.0V \Rightarrow 2.25A 27.0W



IP20
INDOOR USE ONLY
MADE IN CHINA

9、

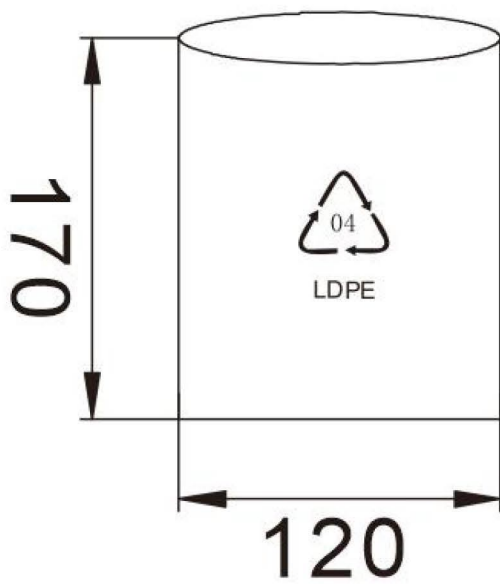
PACKING STEP:



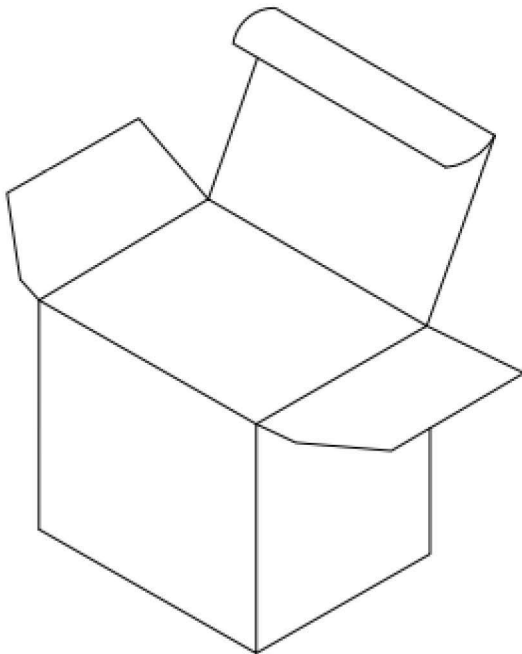
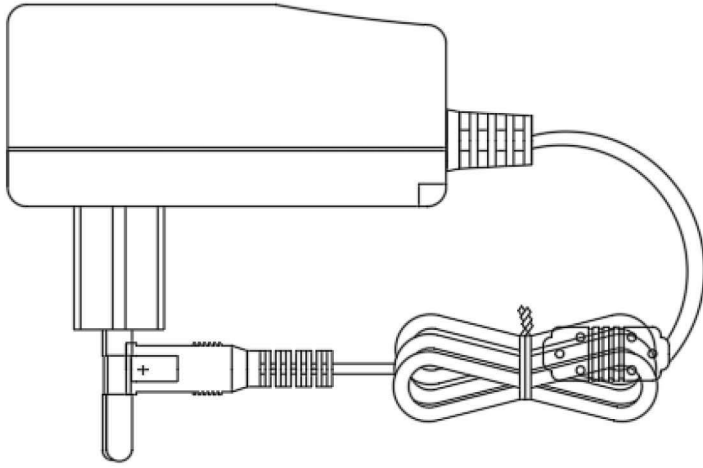
A :Product



PE



B:PE Bag

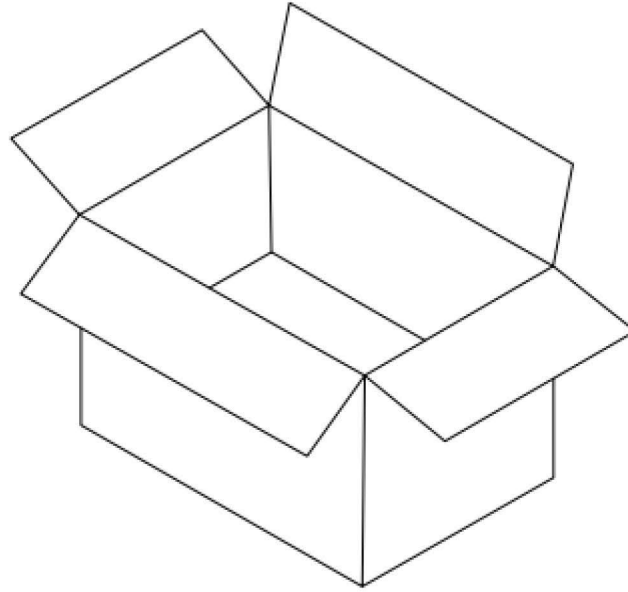


Color box:

Length:104mm

Width:53mm

Height:80mm



Packing request:

Packaging

Outside box:425L*230W*295H

Quantity:100PCS/CTN

Remarks:

1. Firstly, put the product into PE bag according to the picture "A/B".
2. After finishing the first step, then put the product into White box according to the picture "C".
3. Then put the product into outer carton.
4. When packing finished, then seals the carton and labels the mark.
5. Through the QA inspection, the products can be shipped